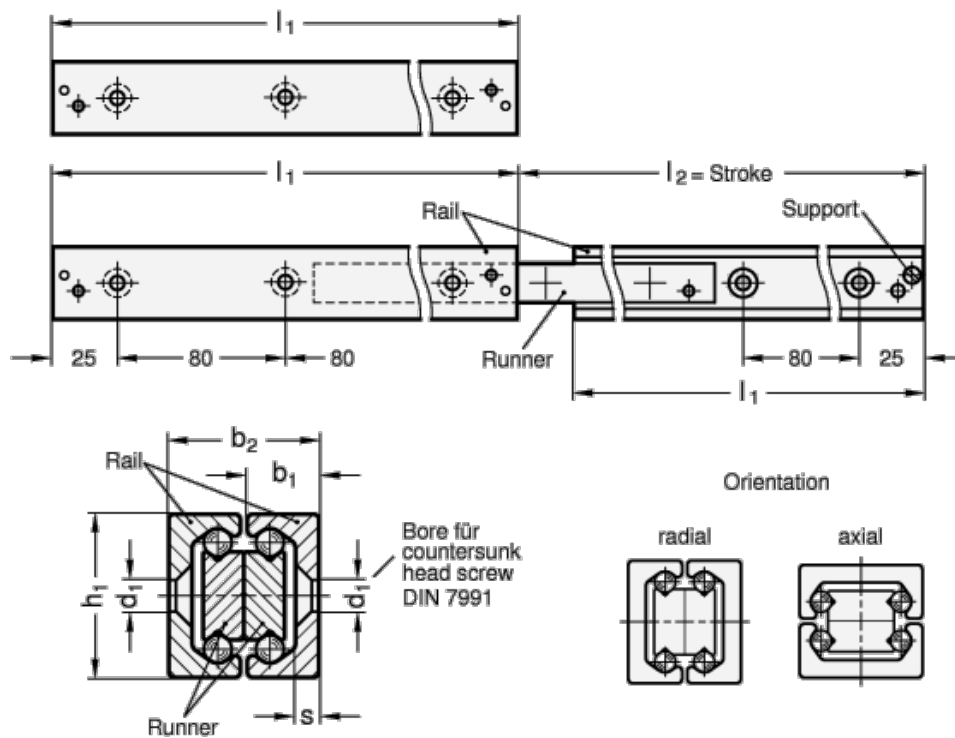


Article number: 20241028210

Description: E+G Telescope-Liear motion bearings GN 2410-28-210

## Measures



b1	= 12.3
b2	= 25.8
d1	= M5
d2	= 5.5
h1	= 28
L1	= 210 - 232
s	= 4
Weight in (g)	= 898